

LEVER

AISI 303 stainless steel, sand-blasted matte finish.

HANDLE

Type PLX. (see page 386) Phenolic based (PF) Duroplast, black colour, glossy finish.

WASHER

AISI 630 hardened stainless steel.

HELICAL CAM

Nickel-plated AISI 303 stainless steel.

REFERENCE BUSHING (EXECUTIONS GN 918.7-KVS, GN 918.7-GVS, GN 918.7-SKS)
Hardened stainless steel.

THREADED BUSHING (EXECUTIONS GN 918.7-KVB, GN 918.7-GVB, GN 918.7-SKB)
Hardened stainless steel.

STANDARD EXECUTIONS

AISI 630 hardened stainless steel threaded pin:

- **GN 918.7-KV**: with angled lever
- **GN 918.7-GV**: with straight lever
- **GN 918.7-SK**: with hexagon.

AISI 304 stainless steel cylindrical head screw on the operator side:

- **GN 918.7-KVS**: with angled lever
- **GN 918.7-GVS**: with straight lever
- **GN 918.7-SKS**: with hexagon.

AISI 304 stainless steel cylindrical head screw on the rear side:

- **GN 918.7-KVB**: with angled lever
- **GN 918.7-GVB**: with straight lever
- **GN 918.7-SKB**: with hexagon.

Suffix for the direction of the locking action:

- **L**: anticlockwise locking action.
- **R**: clockwise locking action (version shown in the drawings).

FEATURES AND APPLICATIONS

The GN 918.7 cam locking levers have a circumferential wedge-shaped surface and enable the achievement of high locking grades with fast and safe locking-unlocking movements.

Thanks to the reduced inclination angle (cam angle), the system is self-locking.

The lever is connected to the cam by means of a toothed element providing precise positioning while releasing the screw.

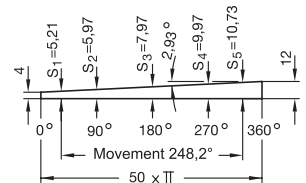
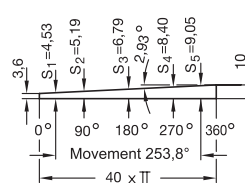
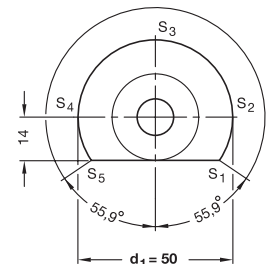
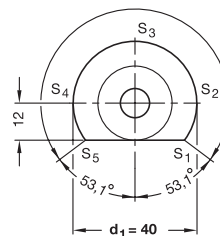
The washer eliminates the need for expensive items with female threadings and therefore the screw can be used directly on T-nuts for connection plates.

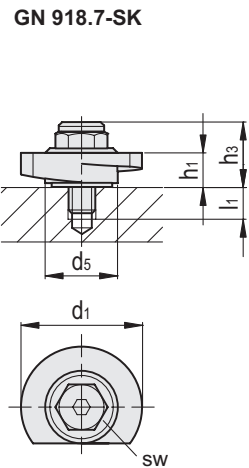
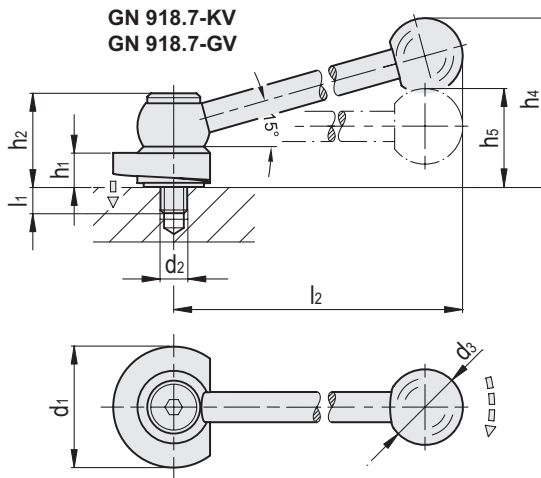
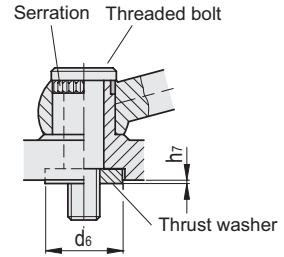


GN 918.7 L/R

Movement 253,8°

Movement 248,2°





Conversion Table 1 mm = 0.039 inch	
d3 - d1	
mm	inch
25	0.98
30	1.17
40	1.56
50	1.95

GN 918.7-KV

INOX STAINLESS STEEL **METRIC**

Code	Description	d3	d1 -0.5	d2	d5	d6	l1	l2	h1	h2	h4	h5	h7	△
GN.31845	GN 918.7-40-KV-L	25	40	M8	24	20	8	100	10	31	55	31	0.2	179
GN.31846	GN 918.7-40-KV-R	25	40	M8	24	20	8	100	10	31	55	31	0.2	179
GN.31850	GN 918.7-50-KV-L	30	50	M10	28	24	11	116	12	35	62	36	0.2	292
GN.31851	GN 918.7-50-KV-R	30	50	M10	28	24	11	116	12	35	62	36	0.2	292

GN 918.7-GV

Code	Description	d3	d1 -0.5	d2	d5	d6	l1	l2	h1	h2	h5	h7	△
GN.84091	GN 918.7-40-GV-L	25	40	M8	24	20	8	100	10	31	31	0.2	177
GN.84111	GN 918.7-40-GV-R	25	40	M8	24	20	8	100	10	31	31	0.2	177
GN.84301	GN 918.7-50-GV-L	30	50	M10	28	24	11	116	12	35	36	0.2	308
GN.84321	GN 918.7-50-GV-R	30	50	M10	28	24	11	116	12	35	36	0.2	308

GN 918.7-SK

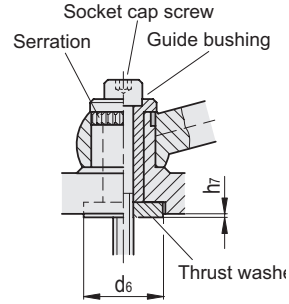
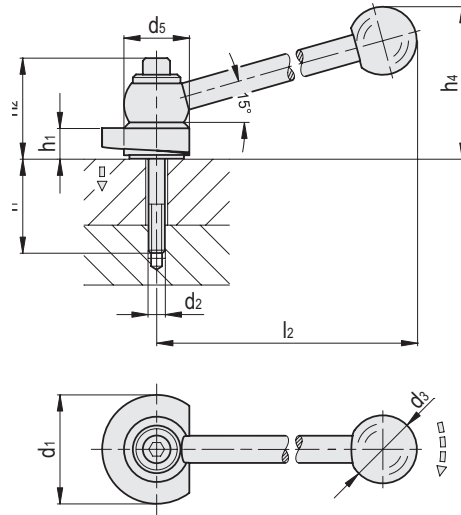
Code	Description	d1 -0.5	d2	d5	d6	l1	h1	h2	h3	h7	sw	△
GN.84231	GN 918.7-40-SK-L	40	M8	24	20	8	10	31	21.5	0.2	15	87
GN.84251	GN 918.7-40-SK-R	40	M8	24	20	8	10	31	21.5	0.2	15	87
GN.84431	GN 918.7-50-SK-L	50	M10	28	24	11	12	35	24.5	0.2	19	158
GN.84451	GN 918.7-50-SK-R	50	M10	28	24	11	12	35	24.5	0.2	19	158

Standard machine parts

- 1
- 2
- 3
- 4
- 5
- 6
- 7
- 8
- 9
- 10
- 11
- 12
- 13
- 14
- 15
- 16
- 17
- 18
- 19

Conversion Table
1 mm = 0.039 inch

d3 - d1	
mm	inch
25	0.98
30	1.17
40	1.56
50	1.95

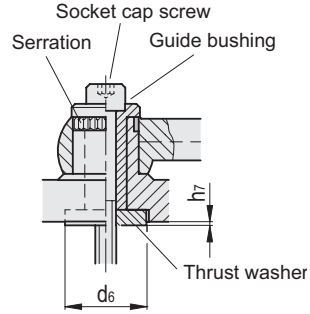
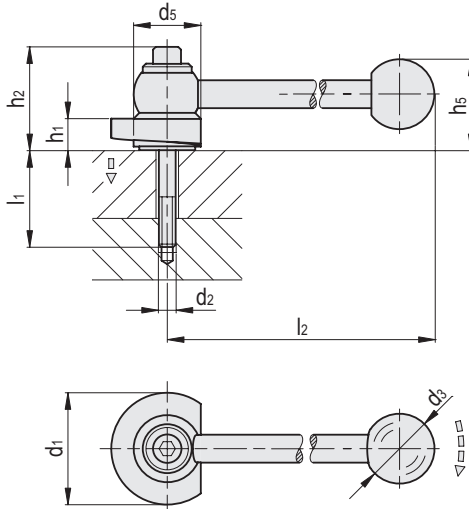


GN 918.7-KVS

INOX STAINLESS STEEL **METRIC**

Code	Description	d3	d1 -0.5	d2	d5	d6	l1	l2	h1	h2	h4	h5	h7	⚖
GN.84201	GN 918.7-40-KVS-L-10	25	40	M6	24	20	10	100	10	36	55	31	0.2	157
GN.84202	GN 918.7-40-KVS-L-15	25	40	M6	24	20	15	100	10	36	55	31	0.2	158
GN.84203	GN 918.7-40-KVS-L-20	25	40	M6	24	20	20	100	10	36	55	31	0.2	159
GN.84204	GN 918.7-40-KVS-L-25	25	40	M6	24	20	25	100	10	36	55	31	0.2	160
GN.84205	GN 918.7-40-KVS-L-30	25	40	M6	24	20	30	100	10	36	55	31	0.2	161
GN.84206	GN 918.7-40-KVS-L-40	25	40	M6	24	20	40	100	10	36	55	31	0.2	162
GN.84207	GN 918.7-40-KVS-L-45	25	40	M6	24	20	45	100	10	36	55	31	0.2	163
GN.84208	GN 918.7-40-KVS-L-50	25	40	M6	24	20	50	100	10	36	55	31	0.2	163
GN.84209	GN 918.7-40-KVS-L-60	25	40	M6	24	20	60	100	10	36	55	31	0.2	165
GN.84210	GN 918.7-40-KVS-L-65	25	40	M6	24	20	65	100	10	36	55	31	0.2	167
GN.84211	GN 918.7-40-KVS-L-70	25	40	M6	24	20	70	100	10	36	55	31	0.2	169
GN.84212	GN 918.7-40-KVS-L-80	25	40	M6	24	20	80	100	10	36	55	31	0.2	171
GN.84213	GN 918.7-40-KVS-L-90	25	40	M6	24	20	90	100	10	36	55	31	0.2	173
GN.84216	GN 918.7-40-KVS-R-10	25	40	M6	24	20	10	100	10	36	55	31	0.2	157
GN.84217	GN 918.7-40-KVS-R-15	25	40	M6	24	20	15	100	10	36	55	31	0.2	158
GN.84218	GN 918.7-40-KVS-R-20	25	40	M6	24	20	20	100	10	36	55	31	0.2	159
GN.84219	GN 918.7-40-KVS-R-25	25	40	M6	24	20	25	100	10	36	55	31	0.2	160
GN.84220	GN 918.7-40-KVS-R-30	25	40	M6	24	20	30	100	10	36	55	31	0.2	161
GN.84221	GN 918.7-40-KVS-R-40	25	40	M6	24	20	40	100	10	36	55	31	0.2	162
GN.84222	GN 918.7-40-KVS-R-45	25	40	M6	24	20	45	100	10	36	55	31	0.2	163
GN.84223	GN 918.7-40-KVS-R-50	25	40	M6	24	20	50	100	10	36	55	31	0.2	163
GN.84224	GN 918.7-40-KVS-R-60	25	40	M6	24	20	60	100	10	36	55	31	0.2	165
GN.84225	GN 918.7-40-KVS-R-65	25	40	M6	24	20	65	100	10	36	55	31	0.2	167
GN.84226	GN 918.7-40-KVS-R-70	25	40	M6	24	20	70	100	10	36	55	31	0.2	169
GN.84227	GN 918.7-40-KVS-R-80	25	40	M6	24	20	80	100	10	36	55	31	0.2	171
GN.84228	GN 918.7-40-KVS-R-90	25	40	M6	24	20	90	100	10	36	55	31	0.2	173
GN.84401	GN 918.7-50-KVS-L-12	30	50	M8	28	24	12	116	12	41	62	36	0.2	259
GN.84402	GN 918.7-50-KVS-L-22	30	50	M8	28	24	22	116	12	41	62	36	0.2	263
GN.84403	GN 918.7-50-KVS-L-32	30	50	M8	28	24	32	116	12	41	62	36	0.2	267
GN.84404	GN 918.7-50-KVS-L-42	30	50	M8	28	24	42	116	12	41	62	36	0.2	270
GN.84405	GN 918.7-50-KVS-L-52	30	50	M8	28	24	52	116	12	41	62	36	0.2	275
GN.84406	GN 918.7-50-KVS-L-62	30	50	M8	28	24	62	116	12	41	62	36	0.2	278
GN.84407	GN 918.7-50-KVS-L-72	30	50	M8	28	24	72	116	12	41	62	36	0.2	282
GN.84408	GN 918.7-50-KVS-L-82	30	50	M8	28	24	82	116	12	41	62	36	0.2	286
GN.84409	GN 918.7-50-KVS-L-92	30	50	M8	28	24	92	116	12	41	62	36	0.2	288
GN.84410	GN 918.7-50-KVS-L-102	30	50	M8	28	24	102	116	12	41	62	36	0.2	286
GN.84411	GN 918.7-50-KVS-L-112	30	50	M8	28	24	112	116	12	41	62	36	0.2	295
GN.84416	GN 918.7-50-KVS-R-12	30	50	M8	28	24	12	116	12	41	62	36	0.2	259
GN.84417	GN 918.7-50-KVS-R-22	30	50	M8	28	24	22	116	12	41	62	36	0.2	263
GN.84418	GN 918.7-50-KVS-R-32	30	50	M8	28	24	32	116	12	41	62	36	0.2	267
GN.84419	GN 918.7-50-KVS-R-42	30	50	M8	28	24	42	116	12	41	62	36	0.2	270
GN.84420	GN 918.7-50-KVS-R-52	30	50	M8	28	24	52	116	12	41	62	36	0.2	275
GN.84421	GN 918.7-50-KVS-R-62	30	50	M8	28	24	62	116	12	41	62	36	0.2	278
GN.84422	GN 918.7-50-KVS-R-72	30	50	M8	28	24	72	116	12	41	62	36	0.2	282
GN.84423	GN 918.7-50-KVS-R-82	30	50	M8	28	24	82	116	12	41	62	36	0.2	286
GN.84424	GN 918.7-50-KVS-R-92	30	50	M8	28	24	92	116	12	41	62	36	0.2	288
GN.84425	GN 918.7-50-KVS-R-102	30	50	M8	28	24	102	116	12	41	62	36	0.2	286
GN.84426	GN 918.7-50-KVS-R-112	30	50	M8	28	24	112	116	12	41	62	36	0.2	295

Standard machine parts



Conversion Table 1 mm = 0.039 inch	
d3 - d1	
mm	inch
25	0.98
30	1.17
40	1.56
50	1.95

GN 918.7-GVS

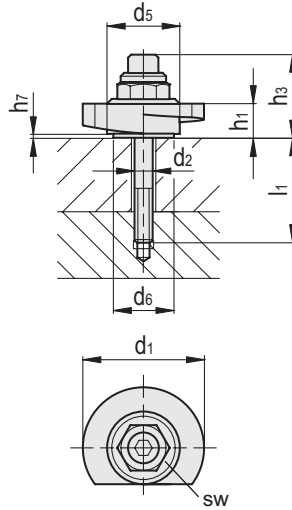
INOX STAINLESS STEEL METRIC

Code	Description	d3	d1-0.5	d2	d5	d6	l1	l2	h1	h2	h5	h7	⚖
GN.84131	GN 918.7-40-GVS-L-10	25	40	M6	24	20	10	100	10	36	31	0.2	155
GN.84132	GN 918.7-40-GVS-L-15	25	40	M6	24	20	15	100	10	36	31	0.2	156
GN.84133	GN 918.7-40-GVS-L-20	25	40	M6	24	20	20	100	10	36	31	0.2	157
GN.84134	GN 918.7-40-GVS-L-25	25	40	M6	24	20	25	100	10	36	31	0.2	158
GN.84135	GN 918.7-40-GVS-L-30	25	40	M6	24	20	30	100	10	36	31	0.2	159
GN.84136	GN 918.7-40-GVS-L-40	25	40	M6	24	20	40	100	10	36	31	0.2	160
GN.84137	GN 918.7-40-GVS-L-45	25	40	M6	24	20	45	100	10	36	31	0.2	161
GN.84138	GN 918.7-40-GVS-L-50	25	40	M6	24	20	50	100	10	36	31	0.2	161
GN.84139	GN 918.7-40-GVS-L-60	25	40	M6	24	20	60	100	10	36	31	0.2	163
GN.84140	GN 918.7-40-GVS-L-65	25	40	M6	24	20	65	100	10	36	31	0.2	165
GN.84141	GN 918.7-40-GVS-L-70	25	40	M6	24	20	70	100	10	36	31	0.2	167
GN.84142	GN 918.7-40-GVS-L-80	25	40	M6	24	20	80	100	10	36	31	0.2	169
GN.84143	GN 918.7-40-GVS-L-90	25	40	M6	24	20	90	100	10	36	31	0.2	171
GN.84151	GN 918.7-40-GVS-R-10	25	40	M6	24	20	10	100	10	36	31	0.2	155
GN.84152	GN 918.7-40-GVS-R-15	25	40	M6	24	20	15	100	10	36	31	0.2	156
GN.84153	GN 918.7-40-GVS-R-20	25	40	M6	24	20	20	100	10	36	31	0.2	157
GN.84154	GN 918.7-40-GVS-R-25	25	40	M6	24	20	25	100	10	36	31	0.2	158
GN.84155	GN 918.7-40-GVS-R-30	25	40	M6	24	20	30	100	10	36	31	0.2	159
GN.84156	GN 918.7-40-GVS-R-40	25	40	M6	24	20	40	100	10	36	31	0.2	160
GN.84157	GN 918.7-40-GVS-R-45	25	40	M6	24	20	45	100	10	36	31	0.2	161
GN.84158	GN 918.7-40-GVS-R-50	25	40	M6	24	20	50	100	10	36	31	0.2	161
GN.84159	GN 918.7-40-GVS-R-60	25	40	M6	24	20	60	100	10	36	31	0.2	163
GN.84160	GN 918.7-40-GVS-R-65	25	40	M6	24	20	65	100	10	36	31	0.2	165
GN.84161	GN 918.7-40-GVS-R-70	25	40	M6	24	20	70	100	10	36	31	0.2	167
GN.84162	GN 918.7-40-GVS-R-80	25	40	M6	24	20	80	100	10	36	31	0.2	169
GN.84163	GN 918.7-40-GVS-R-90	25	40	M6	24	20	90	100	10	36	31	0.2	171
GN.84341	GN 918.7-50-GVS-L-12	30	50	M8	28	24	12	116	12	41	36	0.2	275
GN.84342	GN 918.7-50-GVS-L-22	30	50	M8	28	24	22	116	12	41	36	0.2	279
GN.84343	GN 918.7-50-GVS-L-32	30	50	M8	28	24	32	116	12	41	36	0.2	283
GN.84344	GN 918.7-50-GVS-L-42	30	50	M8	28	24	42	116	12	41	36	0.2	286
GN.84345	GN 918.7-50-GVS-L-52	30	50	M8	28	24	52	116	12	41	36	0.2	291
GN.84346	GN 918.7-50-GVS-L-62	30	50	M8	28	24	62	116	12	41	36	0.2	294
GN.84347	GN 918.7-50-GVS-L-72	30	50	M8	28	24	72	116	12	41	36	0.2	298
GN.84348	GN 918.7-50-GVS-L-82	30	50	M8	28	24	82	116	12	41	36	0.2	302
GN.84349	GN 918.7-50-GVS-L-92	30	50	M8	28	24	92	116	12	41	36	0.2	304
GN.84350	GN 918.7-50-GVS-L-102	30	50	M8	28	24	102	116	12	41	36	0.2	302
GN.84351	GN 918.7-50-GVS-L-112	30	50	M8	28	24	112	116	12	41	36	0.2	311
GN.84356	GN 918.7-50-GVS-R-12	30	50	M8	28	24	12	116	12	41	36	0.2	275
GN.84357	GN 918.7-50-GVS-R-22	30	50	M8	28	24	22	116	12	41	36	0.2	279
GN.84358	GN 918.7-50-GVS-R-32	30	50	M8	28	24	32	116	12	41	36	0.2	283
GN.84359	GN 918.7-50-GVS-R-42	30	50	M8	28	24	42	116	12	41	36	0.2	286
GN.84360	GN 918.7-50-GVS-R-52	30	50	M8	28	24	52	116	12	41	36	0.2	291
GN.84361	GN 918.7-50-GVS-R-62	30	50	M8	28	24	62	116	12	41	36	0.2	294
GN.84362	GN 918.7-50-GVS-R-72	30	50	M8	28	24	72	116	12	41	36	0.2	298
GN.84363	GN 918.7-50-GVS-R-82	30	50	M8	28	24	82	116	12	41	36	0.2	302
GN.84364	GN 918.7-50-GVS-R-92	30	50	M8	28	24	92	116	12	41	36	0.2	304
GN.84365	GN 918.7-50-GVS-R-102	30	50	M8	28	24	102	116	12	41	36	0.2	302
GN.84366	GN 918.7-50-GVS-R-112	30	50	M8	28	24	112	116	12	41	36	0.2	311



Standard machine parts

- 1
- 2
- 3
- 4
- 5
- 6
- 7
- 8
- 9
- 10
- 11
- 12
- 13
- 14
- 15
- 16
- 17
- 18
- 19



Conversion Table
1 mm = 0.039 inch

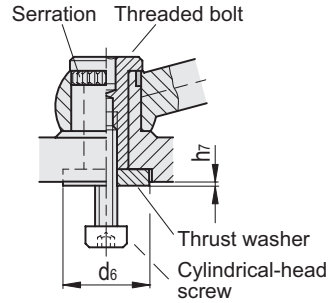
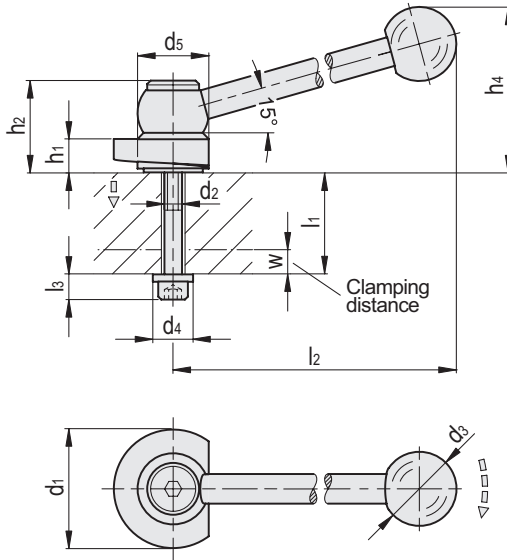
d3 - d1	
mm	inch
25	0.98
30	1.17
40	1.56
50	1.95

GN 918.7-SKS

INOX STAINLESS STEEL METRIC

Code	Description	d1 -0.5	d2	d5	d6	l1	h1	h3	h7	sw	
GN.84271	GN 918.7-40-SKS-L-15	40	M6	24	20	15	10	26	0.2	15	72
GN.84272	GN 918.7-40-SKS-L-20	40	M6	24	20	20	10	26	0.2	15	73
GN.84273	GN 918.7-40-SKS-L-25	40	M6	24	20	25	10	26	0.2	15	74
GN.84274	GN 918.7-40-SKS-L-30	40	M6	24	20	30	10	26	0.2	15	75
GN.84275	GN 918.7-40-SKS-L-35	40	M6	24	20	35	10	26	0.2	15	76
GN.84276	GN 918.7-40-SKS-L-40	40	M6	24	20	40	10	26	0.2	15	78
GN.84277	GN 918.7-40-SKS-L-50	40	M6	24	20	50	10	26	0.2	15	78
GN.84278	GN 918.7-40-SKS-L-55	40	M6	24	20	55	10	26	0.2	15	79
GN.84279	GN 918.7-40-SKS-L-60	40	M6	24	20	60	10	26	0.2	15	81
GN.84280	GN 918.7-40-SKS-L-70	40	M6	24	20	70	10	26	0.2	15	83
GN.84281	GN 918.7-40-SKS-L-75	40	M6	24	20	75	10	26	0.2	15	85
GN.84282	GN 918.7-40-SKS-L-80	40	M6	24	20	80	10	26	0.2	15	87
GN.84283	GN 918.7-40-SKS-L-90	40	M6	24	20	90	10	26	0.2	15	89
GN.84286	GN 918.7-40-SKS-R-15	40	M6	24	20	15	10	26	0.2	15	72
GN.84287	GN 918.7-40-SKS-R-20	40	M6	24	20	20	10	26	0.2	15	73
GN.84288	GN 918.7-40-SKS-R-25	40	M6	24	20	25	10	26	0.2	15	74
GN.84289	GN 918.7-40-SKS-R-30	40	M6	24	20	30	10	26	0.2	15	75
GN.84290	GN 918.7-40-SKS-R-35	40	M6	24	20	35	10	26	0.2	15	76
GN.84291	GN 918.7-40-SKS-R-40	40	M6	24	20	40	10	26	0.2	15	78
GN.84292	GN 918.7-40-SKS-R-50	40	M6	24	20	50	10	26	0.2	15	78
GN.84293	GN 918.7-40-SKS-R-55	40	M6	24	20	55	10	26	0.2	15	79
GN.84294	GN 918.7-40-SKS-R-60	40	M6	24	20	60	10	26	0.2	15	81
GN.84295	GN 918.7-40-SKS-R-70	40	M6	24	20	70	10	26	0.2	15	83
GN.84296	GN 918.7-40-SKS-R-75	40	M6	24	20	75	10	26	0.2	15	85
GN.84297	GN 918.7-40-SKS-R-80	40	M6	24	20	80	10	26	0.2	15	87
GN.84298	GN 918.7-40-SKS-R-90	40	M6	24	20	90	10	26	0.2	15	89
GN.84471	GN 918.7-50-SKS-L-12	50	M8	28	24	12	12	31	0.2	19	141
GN.84472	GN 918.7-50-SKS-L-22	50	M8	28	24	22	12	31	0.2	19	145
GN.84473	GN 918.7-50-SKS-L-32	50	M8	28	24	32	12	31	0.2	19	149
GN.84474	GN 918.7-50-SKS-L-42	50	M8	28	24	42	12	31	0.2	19	152
GN.84475	GN 918.7-50-SKS-L-52	50	M8	28	24	52	12	31	0.2	19	157
GN.84476	GN 918.7-50-SKS-L-62	50	M8	28	24	62	12	31	0.2	19	160
GN.84477	GN 918.7-50-SKS-L-72	50	M8	28	24	72	12	31	0.2	19	164
GN.84478	GN 918.7-50-SKS-L-82	50	M8	28	24	82	12	31	0.2	19	168
GN.84479	GN 918.7-50-SKS-L-92	50	M8	28	24	92	12	31	0.2	19	170
GN.84480	GN 918.7-50-SKS-L-102	50	M8	28	24	102	12	31	0.2	19	168
GN.84481	GN 918.7-50-SKS-L-112	50	M8	28	24	112	12	31	0.2	19	177
GN.84485	GN 918.7-50-SKS-R-12	50	M8	28	24	12	12	31	0.2	19	141
GN.84486	GN 918.7-50-SKS-R-22	50	M8	28	24	22	12	31	0.2	19	145
GN.84487	GN 918.7-50-SKS-R-32	50	M8	28	24	32	12	31	0.2	19	149
GN.84488	GN 918.7-50-SKS-R-42	50	M8	28	24	42	12	31	0.2	19	152
GN.84489	GN 918.7-50-SKS-R-52	50	M8	28	24	52	12	31	0.2	19	157
GN.84490	GN 918.7-50-SKS-R-62	50	M8	28	24	62	12	31	0.2	19	160
GN.84491	GN 918.7-50-SKS-R-72	50	M8	28	24	72	12	31	0.2	19	164
GN.84492	GN 918.7-50-SKS-R-82	50	M8	28	24	82	12	31	0.2	19	168
GN.84493	GN 918.7-50-SKS-R-92	50	M8	28	24	92	12	31	0.2	19	170
GN.84494	GN 918.7-50-SKS-R-102	50	M8	28	24	102	12	31	0.2	19	168
GN.84495	GN 918.7-50-SKS-R-112	50	M8	28	24	112	12	31	0.2	19	177

Standard machine parts



Conversion Table 1 mm = 0.039 inch	
d3 - d1	
mm	inch
25	0.98
30	1.17
40	1.56
50	1.95

GN 918.7-KVB

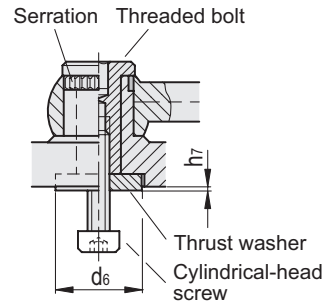
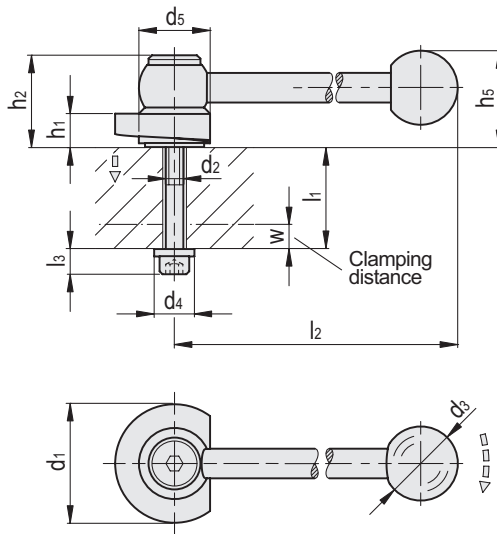
INOX STAINLESS STEEL METRIC

Code	Description	d3	d1 -0.5	d2	d4	d5	d6	l1 max	l2	l3	h1	h2	h4	h5	h7	wmax	△
GN.84171	GN 918.7-40-KVB-L-12	25	40	M6	12	24	20	12	100	8.5	10	30.5	55	31	0.2	5	153
GN.84172	GN 918.7-40-KVB-L-22	25	40	M6	12	24	20	22	100	8.5	10	30.5	55	31	0.2	5	156
GN.84173	GN 918.7-40-KVB-L-27	25	40	M6	12	24	20	27	100	8.5	10	30.5	55	31	0.2	5	157
GN.84174	GN 918.7-40-KVB-L-32	25	40	M6	12	24	20	32	100	8.5	10	30.5	55	31	0.2	5	158
GN.84175	GN 918.7-40-KVB-L-37	25	40	M6	12	24	20	37	100	8.5	10	30.5	55	31	0.2	5	159
GN.84176	GN 918.7-40-KVB-L-42	25	40	M6	12	24	20	42	100	8.5	10	30.5	55	31	0.2	5	160
GN.84177	GN 918.7-40-KVB-L-47	25	40	M6	12	24	20	47	100	8.5	10	30.5	55	31	0.2	5	161
GN.84178	GN 918.7-40-KVB-L-57	25	40	M6	12	24	20	57	100	8.5	10	30.5	55	31	0.2	5	162
GN.84179	GN 918.7-40-KVB-L-62	25	40	M6	12	24	20	62	100	8.5	10	30.5	55	31	0.2	5	163
GN.84180	GN 918.7-40-KVB-L-67	25	40	M6	12	24	20	67	100	8.5	10	30.5	55	31	0.2	5	163
GN.84181	GN 918.7-40-KVB-L-77	25	40	M6	12	24	20	77	100	8.5	10	30.5	55	31	0.2	5	165
GN.84182	GN 918.7-40-KVB-L-82	25	40	M6	12	24	20	82	100	8.5	10	30.5	55	31	0.2	5	167
GN.84186	GN 918.7-40-KVB-R-12	25	40	M6	12	24	20	12	100	8.5	10	30.5	55	31	0.2	5	153
GN.84187	GN 918.7-40-KVB-R-22	25	40	M6	12	24	20	22	100	8.5	10	30.5	55	31	0.2	5	156
GN.84188	GN 918.7-40-KVB-R-27	25	40	M6	12	24	20	27	100	8.5	10	30.5	55	31	0.2	5	157
GN.84189	GN 918.7-40-KVB-R-32	25	40	M6	12	24	20	32	100	8.5	10	30.5	55	31	0.2	5	158
GN.84190	GN 918.7-40-KVB-R-37	25	40	M6	12	24	20	37	100	8.5	10	30.5	55	31	0.2	5	159
GN.84191	GN 918.7-40-KVB-R-42	25	40	M6	12	24	20	42	100	8.5	10	30.5	55	31	0.2	5	160
GN.84192	GN 918.7-40-KVB-R-47	25	40	M6	12	24	20	47	100	8.5	10	30.5	55	31	0.2	5	161
GN.84193	GN 918.7-40-KVB-R-57	25	40	M6	12	24	20	57	100	8.5	10	30.5	55	31	0.2	5	162
GN.84194	GN 918.7-40-KVB-R-62	25	40	M6	12	24	20	62	100	8.5	10	30.5	55	31	0.2	5	163
GN.84195	GN 918.7-40-KVB-R-67	25	40	M6	12	24	20	67	100	8.5	10	30.5	55	31	0.2	5	163
GN.84196	GN 918.7-40-KVB-R-77	25	40	M6	12	24	20	77	100	8.5	10	30.5	55	31	0.2	5	165
GN.84197	GN 918.7-40-KVB-R-82	25	40	M6	12	24	20	82	100	8.5	10	30.5	55	31	0.2	5	167
GN.84371	GN 918.7-50-KVB-L-10	30	50	M8	16	28	24	10	116	10.5	12	34.5	62	36	0.2	5	253
GN.84372	GN 918.7-50-KVB-L-20	30	50	M8	16	28	24	20	116	10.5	12	34.5	62	36	0.2	5	256
GN.84373	GN 918.7-50-KVB-L-30	30	50	M8	16	28	24	30	116	10.5	12	34.5	62	36	0.2	5	259
GN.84374	GN 918.7-50-KVB-L-40	30	50	M8	16	28	24	40	116	10.5	12	34.5	62	36	0.2	5	263
GN.84375	GN 918.7-50-KVB-L-50	30	50	M8	16	28	24	50	116	10.5	12	34.5	62	36	0.2	5	267
GN.84376	GN 918.7-50-KVB-L-60	30	50	M8	16	28	24	60	116	10.5	12	34.5	62	36	0.2	5	270
GN.84377	GN 918.7-50-KVB-L-70	30	50	M8	16	28	24	70	116	10.5	12	34.5	62	36	0.2	5	275
GN.84378	GN 918.7-50-KVB-L-80	30	50	M8	16	28	24	80	116	10.5	12	34.5	62	36	0.2	5	278
GN.84379	GN 918.7-50-KVB-L-90	30	50	M8	16	28	24	90	116	10.5	12	34.5	62	36	0.2	5	282
GN.84380	GN 918.7-50-KVB-L-100	30	50	M8	16	28	24	100	116	10.5	12	34.5	62	36	0.2	5	286
GN.84385	GN 918.7-50-KVB-R-10	30	50	M8	16	28	24	10	116	10.5	12	34.5	62	36	0.2	5	253
GN.84386	GN 918.7-50-KVB-R-20	30	50	M8	16	28	24	20	116	10.5	12	34.5	62	36	0.2	5	256
GN.84387	GN 918.7-50-KVB-R-30	30	50	M8	16	28	24	30	116	10.5	12	34.5	62	36	0.2	5	259
GN.84388	GN 918.7-50-KVB-R-40	30	50	M8	16	28	24	40	116	10.5	12	34.5	62	36	0.2	5	263
GN.84389	GN 918.7-50-KVB-R-50	30	50	M8	16	28	24	50	116	10.5	12	34.5	62	36	0.2	5	267
GN.84390	GN 918.7-50-KVB-R-60	30	50	M8	16	28	24	60	116	10.5	12	34.5	62	36	0.2	5	270
GN.84391	GN 918.7-50-KVB-R-70	30	50	M8	16	28	24	70	116	10.5	12	34.5	62	36	0.2	5	275
GN.84392	GN 918.7-50-KVB-R-80	30	50	M8	16	28	24	80	116	10.5	12	34.5	62	36	0.2	5	278
GN.84393	GN 918.7-50-KVB-R-90	30	50	M8	16	28	24	90	116	10.5	12	34.5	62	36	0.2	5	282
GN.84394	GN 918.7-50-KVB-R-100	30	50	M8	16	28	24	100	116	10.5	12	34.5	62	36	0.2	5	286

- 1
- 2
- 3
- 4
- 5
- 6
- 7
- 8
- 9
- 10
- 11
- 12
- 13
- 14
- 15
- 16
- 17
- 18
- 19

Standard machine parts

- 1
- 2
- 3
- 4
- 5
- 6
- 7
- 8
- 9
- 10
- 11
- 12
- 13
- 14
- 15
- 16
- 17
- 18
- 19



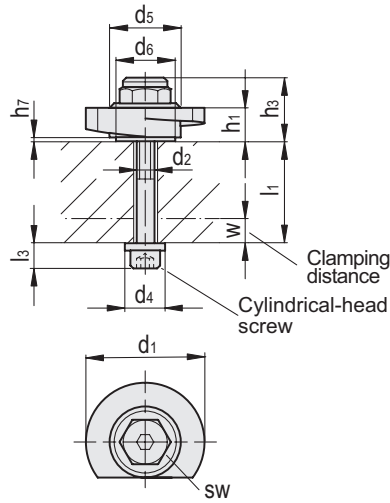
Conversion Table	
1 mm = 0,039 inch	
d3 - d1	
mm	inch
25	0.98
30	1.17
40	1.56
50	1.95

GN 918.7-GVB

INOX STAINLESS STEEL METRIC

Code	Description	d3	d1-0.5	d2	d4	d5	d6	l1 max	l2	l3	h1	h2	h5	h7	wmax	△
GN.84095	GN 918.7-40-GVB-L-12	25	40	M6	12	24	20	12	100	8.5	10	30.5	31	0.2	5	151
GN.84096	GN 918.7-40-GVB-L-22	25	40	M6	12	24	20	22	100	8.5	10	30.5	31	0.2	5	153
GN.84097	GN 918.7-40-GVB-L-27	25	40	M6	12	24	20	27	100	8.5	10	30.5	31	0.2	5	155
GN.84098	GN 918.7-40-GVB-L-32	25	40	M6	12	24	20	32	100	8.5	10	30.5	31	0.2	5	156
GN.84099	GN 918.7-40-GVB-L-37	25	40	M6	12	24	20	37	100	8.5	10	30.5	31	0.2	5	157
GN.84100	GN 918.7-40-GVB-L-42	25	40	M6	12	24	20	42	100	8.5	10	30.5	31	0.2	5	158
GN.84101	GN 918.7-40-GVB-L-47	25	40	M6	12	24	20	47	100	8.5	10	30.5	31	0.2	5	159
GN.84102	GN 918.7-40-GVB-L-57	25	40	M6	12	24	20	57	100	8.5	10	30.5	31	0.2	5	160
GN.84103	GN 918.7-40-GVB-L-62	25	40	M6	12	24	20	62	100	8.5	10	30.5	31	0.2	5	161
GN.84104	GN 918.7-40-GVB-L-67	25	40	M6	12	24	20	67	100	8.5	10	30.5	31	0.2	5	161
GN.84105	GN 918.7-40-GVB-L-77	25	40	M6	12	24	20	77	100	8.5	10	30.5	31	0.2	5	163
GN.84106	GN 918.7-40-GVB-L-82	25	40	M6	12	24	20	82	100	8.5	10	30.5	31	0.2	5	165
GN.84115	GN 918.7-40-GVB-R-12	25	40	M6	12	24	20	12	100	8.5	10	30.5	31	0.2	5	151
GN.84116	GN 918.7-40-GVB-R-22	25	40	M6	12	24	20	22	100	8.5	10	30.5	31	0.2	5	153
GN.84117	GN 918.7-40-GVB-R-27	25	40	M6	12	24	20	27	100	8.5	10	30.5	31	0.2	5	155
GN.84118	GN 918.7-40-GVB-R-32	25	40	M6	12	24	20	32	100	8.5	10	30.5	31	0.2	5	156
GN.84119	GN 918.7-40-GVB-R-37	25	40	M6	12	24	20	37	100	8.5	10	30.5	31	0.2	5	157
GN.84120	GN 918.7-40-GVB-R-42	25	40	M6	12	24	20	42	100	8.5	10	30.5	31	0.2	5	158
GN.84121	GN 918.7-40-GVB-R-47	25	40	M6	12	24	20	47	100	8.5	10	30.5	31	0.2	5	159
GN.84122	GN 918.7-40-GVB-R-57	25	40	M6	12	24	20	57	100	8.5	10	30.5	31	0.2	5	160
GN.84123	GN 918.7-40-GVB-R-62	25	40	M6	12	24	20	62	100	8.5	10	30.5	31	0.2	5	161
GN.84124	GN 918.7-40-GVB-R-67	25	40	M6	12	24	20	67	100	8.5	10	30.5	31	0.2	5	161
GN.84125	GN 918.7-40-GVB-R-77	25	40	M6	12	24	20	77	100	8.5	10	30.5	31	0.2	5	163
GN.84126	GN 918.7-40-GVB-R-82	25	40	M6	12	24	20	82	100	8.5	10	30.5	31	0.2	5	165
GN.84306	GN 918.7-50-GVB-L-10	30	50	M8	16	28	24	10	116	10.5	12	34.5	36	0.2	5	269
GN.84307	GN 918.7-50-GVB-L-20	30	50	M8	16	28	24	20	116	10.5	12	34.5	36	0.2	5	272
GN.84308	GN 918.7-50-GVB-L-30	30	50	M8	16	28	24	30	116	10.5	12	34.5	36	0.2	5	275
GN.84309	GN 918.7-50-GVB-L-40	30	50	M8	16	28	24	40	116	10.5	12	34.5	36	0.2	5	279
GN.84310	GN 918.7-50-GVB-L-50	30	50	M8	16	28	24	50	116	10.5	12	34.5	36	0.2	5	283
GN.84311	GN 918.7-50-GVB-L-60	30	50	M8	16	28	24	60	116	10.5	12	34.5	36	0.2	5	286
GN.84312	GN 918.7-50-GVB-L-70	30	50	M8	16	28	24	70	116	10.5	12	34.5	36	0.2	5	291
GN.84313	GN 918.7-50-GVB-L-80	30	50	M8	16	28	24	80	116	10.5	12	34.5	36	0.2	5	294
GN.84314	GN 918.7-50-GVB-L-90	30	50	M8	16	28	24	90	116	10.5	12	34.5	36	0.2	5	298
GN.84315	GN 918.7-50-GVB-L-100	30	50	M8	16	28	24	100	116	10.5	12	34.5	36	0.2	5	302
GN.84326	GN 918.7-50-GVB-R-10	30	50	M8	16	28	24	10	116	10.5	12	34.5	36	0.2	5	269
GN.84327	GN 918.7-50-GVB-R-20	30	50	M8	16	28	24	20	116	10.5	12	34.5	36	0.2	5	272
GN.84328	GN 918.7-50-GVB-R-30	30	50	M8	16	28	24	30	116	10.5	12	34.5	36	0.2	5	275
GN.84329	GN 918.7-50-GVB-R-40	30	50	M8	16	28	24	40	116	10.5	12	34.5	36	0.2	5	279
GN.84330	GN 918.7-50-GVB-R-50	30	50	M8	16	28	24	50	116	10.5	12	34.5	36	0.2	5	283
GN.84331	GN 918.7-50-GVB-R-60	30	50	M8	16	28	24	60	116	10.5	12	34.5	36	0.2	5	286
GN.84332	GN 918.7-50-GVB-R-70	30	50	M8	16	28	24	70	116	10.5	12	34.5	36	0.2	5	291
GN.84333	GN 918.7-50-GVB-R-80	30	50	M8	16	28	24	80	116	10.5	12	34.5	36	0.2	5	294
GN.84334	GN 918.7-50-GVB-R-90	30	50	M8	16	28	24	90	116	10.5	12	34.5	36	0.2	5	298
GN.84335	GN 918.7-50-GVB-R-100	30	50	M8	16	28	24	100	116	10.5	12	34.5	36	0.2	5	302

Standard machine parts



Conversion Table 1 mm = 0.039 inch	
d3 - d1	
mm	inch
25	0.98
30	1.17
40	1.56
50	1.95

GN 918.7-SKB

INOX STAINLESS STEEL METRIC

Code	Description	d1 -0.5	d2	d4	d5	d6	l1 max	l3	h1	h3	h7	wmax	sw	⚖
GN.84236	GN 918.7-40-SKB-L-12	40	M6	12	24	20	12	8.5	10	21	0.2	5	15	69
GN.84237	GN 918.7-40-SKB-L-22	40	M6	12	24	20	22	8.5	10	21	0.2	5	15	71
GN.84238	GN 918.7-40-SKB-L-27	40	M6	12	24	20	27	8.5	10	21	0.2	5	15	72
GN.84239	GN 918.7-40-SKB-L-32	40	M6	12	24	20	32	8.5	10	21	0.2	5	15	73
GN.84240	GN 918.7-40-SKB-L-37	40	M6	12	24	20	37	8.5	10	21	0.2	5	15	74
GN.84241	GN 918.7-40-SKB-L-42	40	M6	12	24	20	42	8.5	10	21	0.2	5	15	75
GN.84242	GN 918.7-40-SKB-L-47	40	M6	12	24	20	47	8.5	10	21	0.2	5	15	76
GN.84243	GN 918.7-40-SKB-L-57	40	M6	12	24	20	57	8.5	10	21	0.2	5	15	78
GN.84244	GN 918.7-40-SKB-L-62	40	M6	12	24	20	62	8.5	10	21	0.2	5	15	78
GN.84245	GN 918.7-40-SKB-L-67	40	M6	12	24	20	67	8.5	10	21	0.2	5	15	79
GN.84246	GN 918.7-40-SKB-L-77	40	M6	12	24	20	77	8.5	10	21	0.2	5	15	81
GN.84247	GN 918.7-40-SKB-L-82	40	M6	12	24	20	82	8.5	10	21	0.2	5	15	83
GN.84256	GN 918.7-40-SKB-R-12	40	M6	12	24	20	12	8.5	10	21	0.2	5	15	69
GN.84257	GN 918.7-40-SKB-R-22	40	M6	12	24	20	22	8.5	10	21	0.2	5	15	71
GN.84258	GN 918.7-40-SKB-R-27	40	M6	12	24	20	27	8.5	10	21	0.2	5	15	72
GN.84259	GN 918.7-40-SKB-R-32	40	M6	12	24	20	32	8.5	10	21	0.2	5	15	73
GN.84260	GN 918.7-40-SKB-R-37	40	M6	12	24	20	37	8.5	10	21	0.2	5	15	74
GN.84261	GN 918.7-40-SKB-R-42	40	M6	12	24	20	42	8.5	10	21	0.2	5	15	75
GN.84262	GN 918.7-40-SKB-R-47	40	M6	12	24	20	47	8.5	10	21	0.2	5	15	76
GN.84263	GN 918.7-40-SKB-R-57	40	M6	12	24	20	57	8.5	10	21	0.2	5	15	78
GN.84264	GN 918.7-40-SKB-R-62	40	M6	12	24	20	62	8.5	10	21	0.2	5	15	78
GN.84265	GN 918.7-40-SKB-R-67	40	M6	12	24	20	67	8.5	10	21	0.2	5	15	79
GN.84266	GN 918.7-40-SKB-R-77	40	M6	12	24	20	77	8.5	10	21	0.2	5	15	81
GN.84267	GN 918.7-40-SKB-R-82	40	M6	12	24	20	82	8.5	10	21	0.2	5	15	83
GN.84436	GN 918.7-50-SKB-L-10	50	M8	16	28	24	10	10.5	12	24	0.2	5	19	135
GN.84437	GN 918.7-50-SKB-L-20	50	M8	16	28	24	20	10.5	12	24	0.2	5	19	138
GN.84438	GN 918.7-50-SKB-L-30	50	M8	16	28	24	30	10.5	12	24	0.2	5	19	141
GN.84439	GN 918.7-50-SKB-L-40	50	M8	16	28	24	40	10.5	12	24	0.2	5	19	145
GN.84440	GN 918.7-50-SKB-L-50	50	M8	16	28	24	50	10.5	12	24	0.2	5	19	149
GN.84441	GN 918.7-50-SKB-L-60	50	M8	16	28	24	60	10.5	12	24	0.2	5	19	152
GN.84442	GN 918.7-50-SKB-L-70	50	M8	16	28	24	70	10.5	12	24	0.2	5	19	157
GN.84443	GN 918.7-50-SKB-L-80	50	M8	16	28	24	80	10.5	12	24	0.2	5	19	160
GN.84444	GN 918.7-50-SKB-L-90	50	M8	16	28	24	90	10.5	12	24	0.2	5	19	164
GN.84445	GN 918.7-50-SKB-L-100	50	M8	16	28	24	100	10.5	12	24	0.2	5	19	168
GN.84456	GN 918.7-50-SKB-R-10	50	M8	16	28	24	10	10.5	12	24	0.2	5	19	135
GN.84457	GN 918.7-50-SKB-R-20	50	M8	16	28	24	20	10.5	12	24	0.2	5	19	138
GN.84458	GN 918.7-50-SKB-R-30	50	M8	16	28	24	30	10.5	12	24	0.2	5	19	141
GN.84459	GN 918.7-50-SKB-R-40	50	M8	16	28	24	40	10.5	12	24	0.2	5	19	145
GN.84460	GN 918.7-50-SKB-R-50	50	M8	16	28	24	50	10.5	12	24	0.2	5	19	149
GN.84461	GN 918.7-50-SKB-R-60	50	M8	16	28	24	60	10.5	12	24	0.2	5	19	152
GN.84462	GN 918.7-50-SKB-R-70	50	M8	16	28	24	70	10.5	12	24	0.2	5	19	157
GN.84463	GN 918.7-50-SKB-R-80	50	M8	16	28	24	80	10.5	12	24	0.2	5	19	160
GN.84464	GN 918.7-50-SKB-R-90	50	M8	16	28	24	90	10.5	12	24	0.2	5	19	164
GN.84465	GN 918.7-50-SKB-R-100	50	M8	16	28	24	100	10.5	12	24	0.2	5	19	168



Standard machine parts